



- 1 cylinder
- 505 cm³
- 8.8 kW/12.0 HP
- 3600 rpm
- Nm. 31@2000

Homologation

- ECE R 24

Construction

- 4-stroke air cooled diesel engine.
- Conical power take-off on crankshaft.
- Anticlockwise rotation.
- Direct injection.
- Forced lubrication with oil pump.
- Centrifugal speed governor.
- Internal full flow oil filter.
- Oil breathing blow-by with safety device.
- Automatic mechanical fuel supplement.
- Self bleeding fuel system.
- Torque regulator.
- Manual compression release.
- Die-cast aluminium crankcase.
- Independent cast-iron cylinders.
- Aluminium alloy cylinder head.
- Built-in rigid feet.



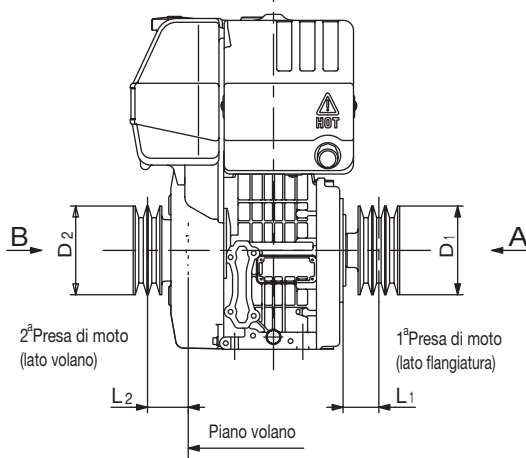
Applications

- Two-wheel tractor
- Agricultural mower
- Agricultural pump
- High pressure cleaner
- Generating set
- Vibrating plate

SERIE RY

Specifications

Cylinders	N.	1
Displacement	cm ³	505
Bore	mm	87
Stroke	mm	85
Compression ratio		19:1
Rating kW/HP	N (80/1269/CEE) ISO 1585	8.8/12.0
	NB ISO 3046 IFN	8.1/11.0
	NA ISO 3046 ICXN	7.4/10.0
Max. torque	Nm.	31@2000
Min. idling speed		1000
Fuel tank capacity	l	5
Oil consumption	kg/h.	0.0055
Oil sump capacity	l	1.5
Min. allowable oil pressure	bar	0.8
Max. allowable inclination for short periods of operation (peak values)		25° (35°)
Vol. of air required for correct combustion @ 3600 r.p.m.	l/min.	800
Vol. of air required for correct cooling @ 3600 r.p.m.	l/min.	8700
Dry weight	kg	48
Recommended battery	V/Ah	12/50
Minimum pulley diameters for belt drive		



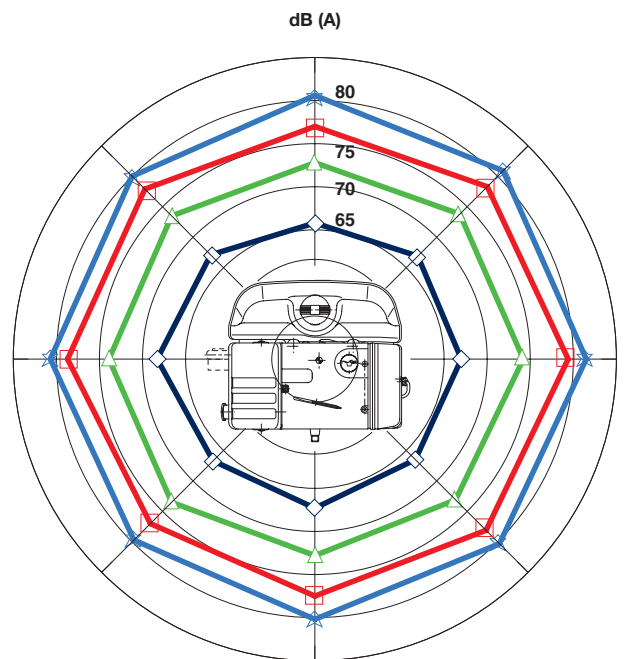
$$D_2 \text{ (mm)} \geq 570 [55+L_2 \text{ (mm)}] \frac{N \text{ (kW)}}{n \text{ (RPM)}}$$

$$D_1 \text{ (mm)} \geq 900 [48+L_1 \text{ (mm)}] \frac{N \text{ (kW)}}{n \text{ (RPM)}}$$

Max. allowable axial load in both directions A-B = 200 kg

Sound pressure level dB (A)

Sound level polar diagram open field - 7 meters microphone - no load running engine.

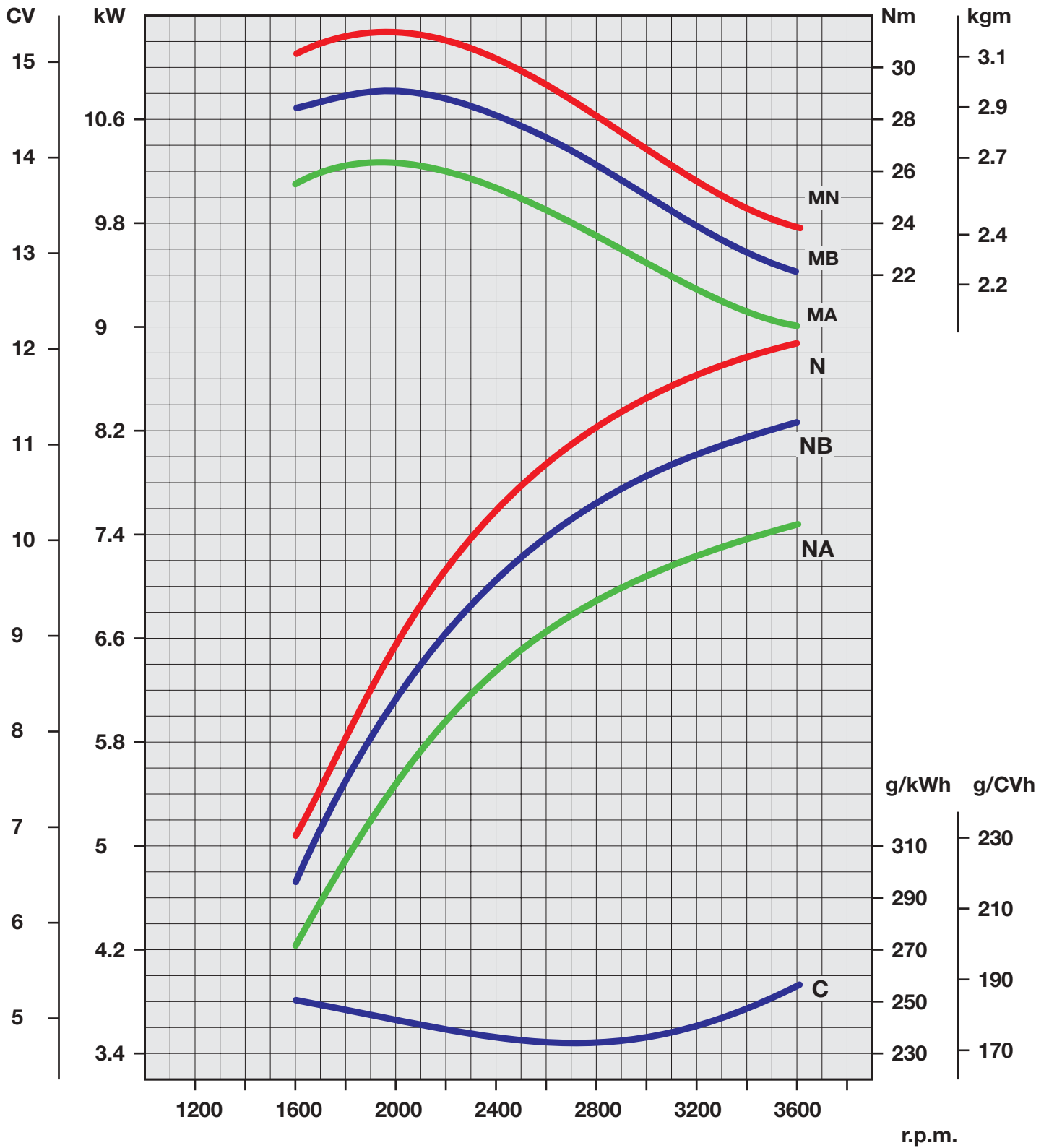


◆ 1100 RPM
 ▲ 2000 RPM
 ■ 3000 RPM
 ★ 3600 RPM



SERIE RY

Curves RY 125



N Power curve - 80/1269/CEE - ISO 1585 -

NB Power curve - ISO 3046/1 - IFN -

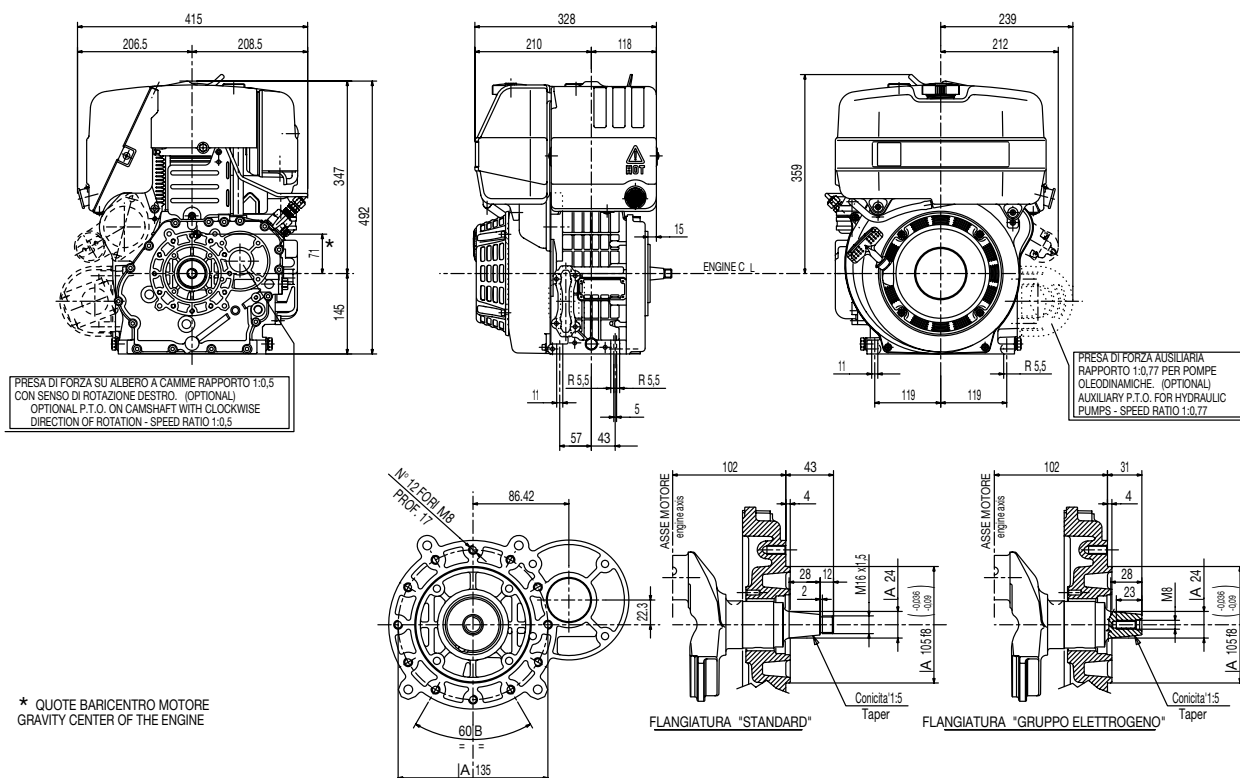
NA Power curve - ISO 3046/1 - ICXN -

MN Torque curve - (N curve)

MB (B curve - **MA** (A curve)

C Specific fuel consumption - (NB curve)

Technical drawings *



* More specific dimensions are available on www.ruggerini.it (see table at the bottom of the page)

Standard equipment

- Accelerator and stop with double linkage for remote control
- Recoil starting and manual compression release
- Dry air filter
- Exhaust muffler with protection
- Fuel tank
- Flange with \varnothing 24 mm conical shaft
- Standard paint: red paint on sheet metal parts
- User maintenance - spare parts booklet

Accessories on request

- Power take-off on flywheel side (engines with electrical starting)
- Power take-off with flanging and special shafts
- Power take-off on camshaft
- Lateral power take off
- Internal dynamic balancer
- Oil bath air cleaner
- Electric start
- Control board
- Emergency stop through electro-valve
- Fixed accelerator and stop control
- Panel protection
- Fuel feed pump
- Oil pressure switch
- Oil temperature switch
- Glow plug on intake manifold
- Recoil with low-noise cover
- Grass protection for engine cooling

Files for this product available on www.ruggerini.it

Data sheet	RY125DS.PDF
Owner manual	RY125OM.PDF
Service manual	RY125SM.PDF
Technical drawing	RY125TD.DWG
Power curve	RY125PC.PDF



Via Cav. del Lavoro Adelmo Lombardini, 2
42100 Reggio Emilia - Italia
Tel. ++39 0522.3891 - Fax ++39 0522.389503
www.ruggerini.it

RUGGERINI RESERVES THE RIGHT TO MAKE MODIFICATIONS WITHOUT PRIOR NOTICE

cod. 3558214 - 11/2005 - mod. 51051/5

trademark of

