



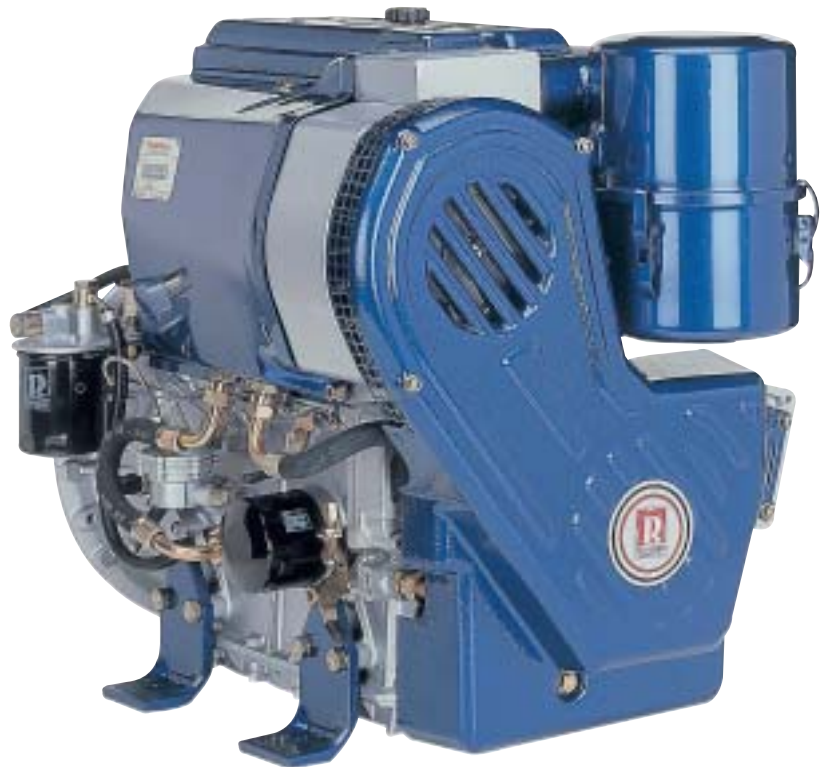
- 3 cylinders
- 1566 cm³
- 28.0 kW/37.9 HP
- 3600 r.p.m.
- Nm. 88@2200

Homologation

- 80/1269 CE

Construction

- 4-stroke air cooled diesel engine
- Direct injection
- Axle blower air cooling
- Mechanical fuel lift pump
- Forced lubrication with oil pump
- Full flow oil filtration with external cartridge filter
- Automatic mechanical fuel supplement
- Torque regulator
- Centrifugal speed governor
- Cast iron crankcase
- Electric starting
- Counter clock-wise rotation (viewed from power take-off side)
- Aluminium alloy independent heads
- Independent cast-iron cylinders
- Power take-off on flywheel
- Oil cooler



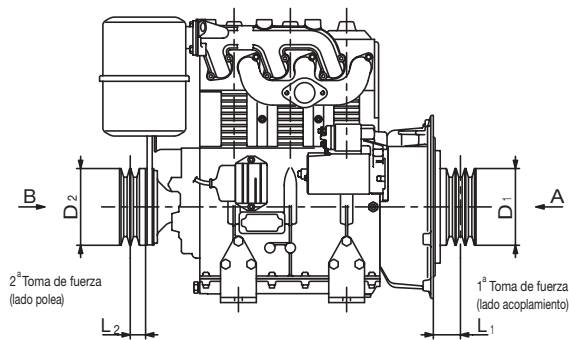
Applications

- Dumper
- Vibrating Roller
- Generating Set
- Welding Set
- High pressure cleaner
- Hydraulic power pack
- Agricultural pump
- Two-wheel tractor

Specifications

Cylinders	N.	3
Displacement	cm ³	1566
Bore	mm	85
Stroke	mm	92
Compression ratio		18:1
Rating kW/HP	N (80/1269/CEE) ISO 1585	28.0/37.9
	NB ISO 3046 IFN	26.0/35.2
	NA ISO 3046 ICXN	23.6/32.0
Max. torque	Nm.	88@2200
Max. torque 3 P.T.O.	Nm.	30.0
Counterclockwise rotation		
Engine speed - 3 P.T.O. ratio		1:0.86
Minimum idling speed r.p.m.		1000
Fuel tank capacity	l	15
Oil consumption	kg/h.	0.017
Oil sump capacity	l	4.3
Min. allowable oil pressure	bar	0.8
Max. allowable inclination for short periods of operation (peak values)		25° (35°)
Vol. of air required for correct combustion @ 3600/3000 r.p.m.	l/min.	2850/2350
Vol. of air required for correct cooling @ 3600/3000 r.p.m.	l/min.	25400/21160
Dry weight	kg	153
Recommended battery	V/Ah	12/66
Axial load	(continuous)	kg 300
	(intermittent)	kg 600

Minimum pulley diameters for belt drive

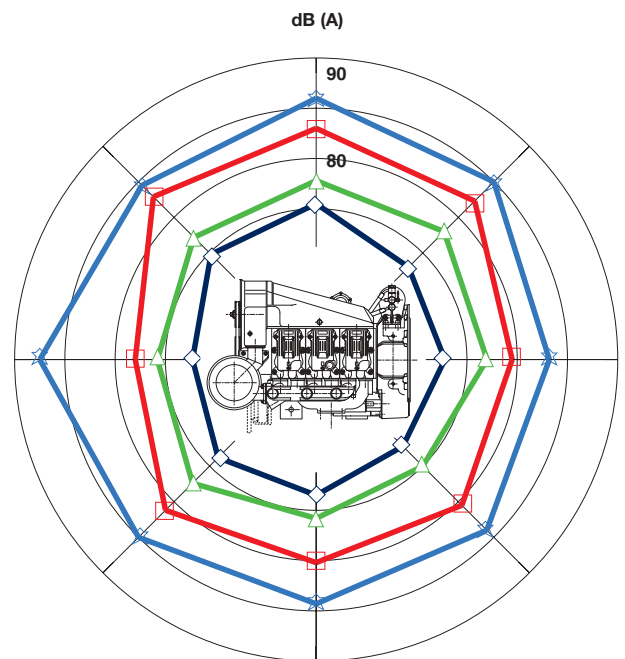


D_1 (mm) \geq 334 [66+L ₁ (mm)]	N (kW) n (RPM)
D_2 (mm) \geq 326 [95+L ₂ (mm)]	N (kW) n (RPM)



Sound pressure level dB (A)

Sound level polar diagram open field - 7 meters microphone - no load running engine.

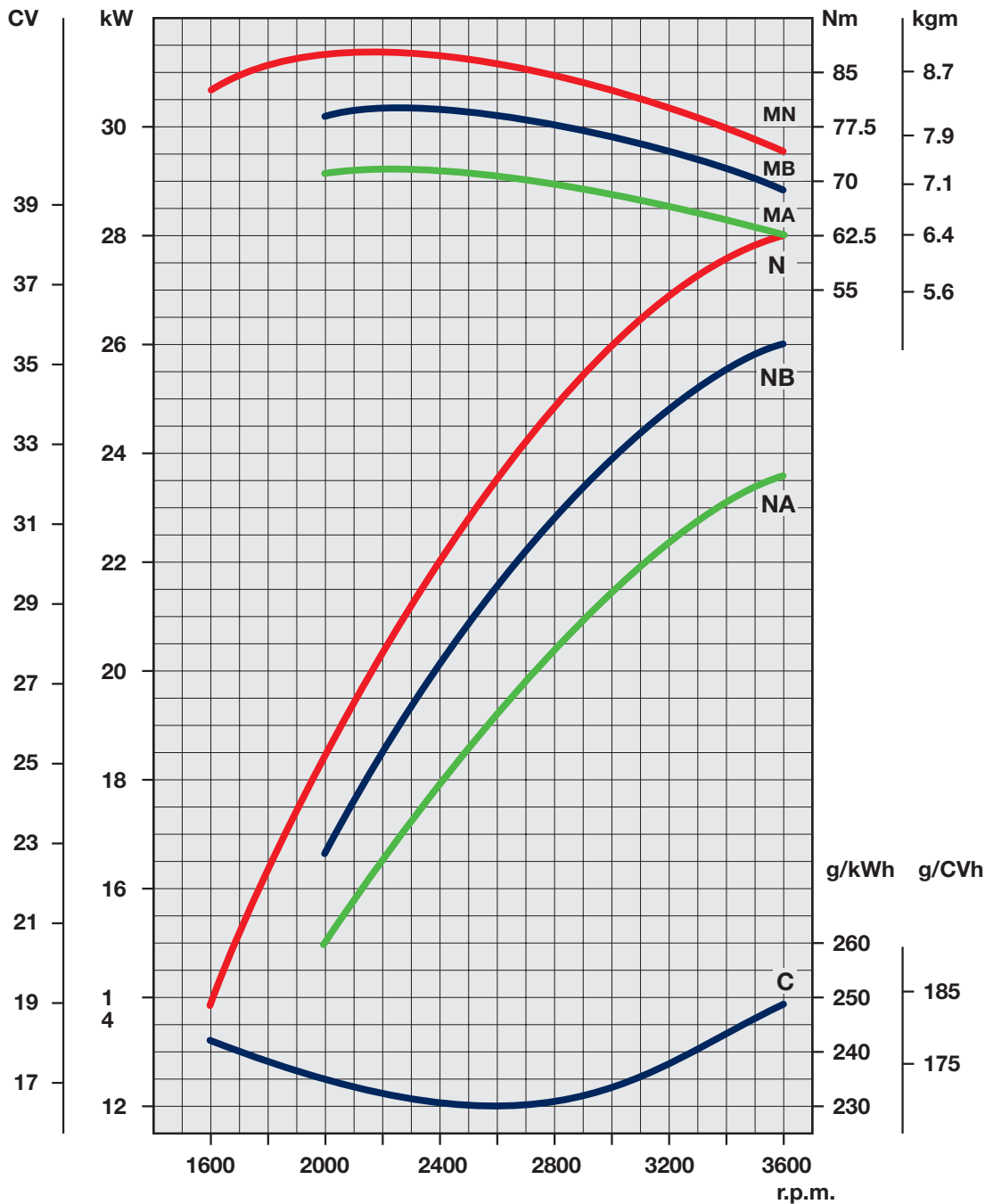


1500 RPM 2000 RPM 2500 RPM 3000 RPM

SERIE MD

Curves

MD351 @ 3600 r.p.m.



- N Power curve - 80/1269/CEE - ISO 1585 -
- NB Power curve - ISO 3046/1 - IFN -
- NA Power curve - ISO 3046/1 - ICXN -
- MN Torque curve - (N curve)
- MB (B curve - MA (A curve)
- C Specific fuel consumption - (NB curve)

Output power for fixed speed application (including generating sets)

Engine power kW

r.p.m.	Intermittent (NB)	Continuous (NA)
3600	26.0	23.6
3000	23.5	21.0
1800	16.2	14.7
1500	14.0	12.5

